

# 1. Specifications

1.1 Voltage: 20VDC-50VDC

1.2 PWM frequency more than 12KHZ

1.3 The input signal is compatible with TTL

1.4 Drive current up to 15A.

1.5 Rotating-speed display

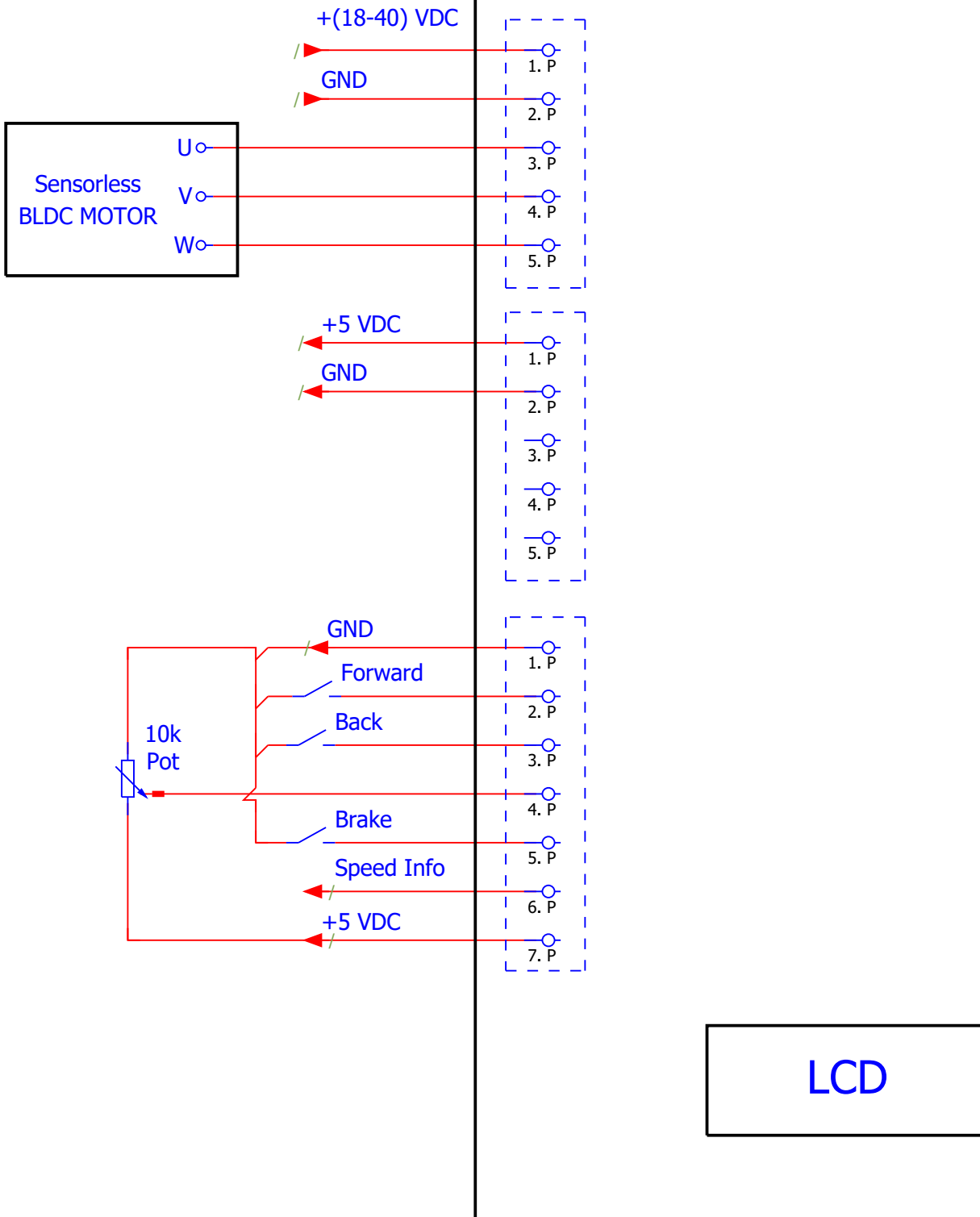
1.6 This driver has two functions: motor can operate with hall sensors and can operate sensorless.

1.7 Speed open-loop or closed-loop control.

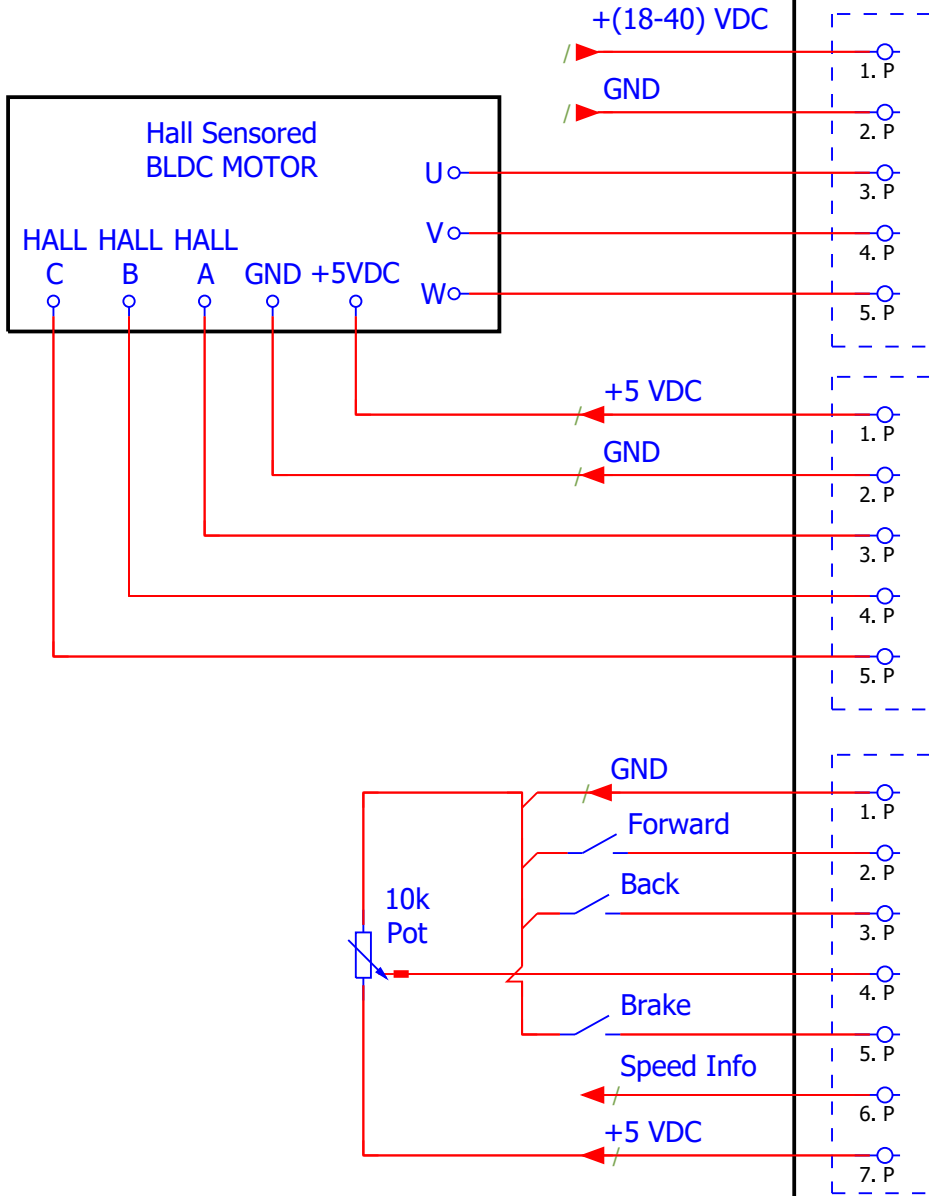
1.8 Dimension: 126\*73\*47

1.9 Weight: 0.5kg

# PROM-500



# PROM-500



LCD